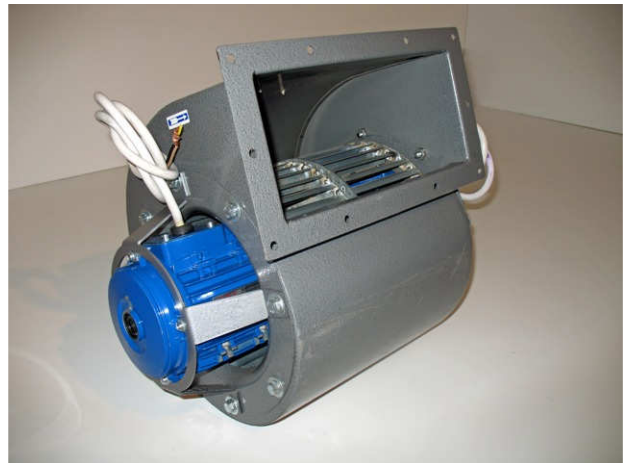


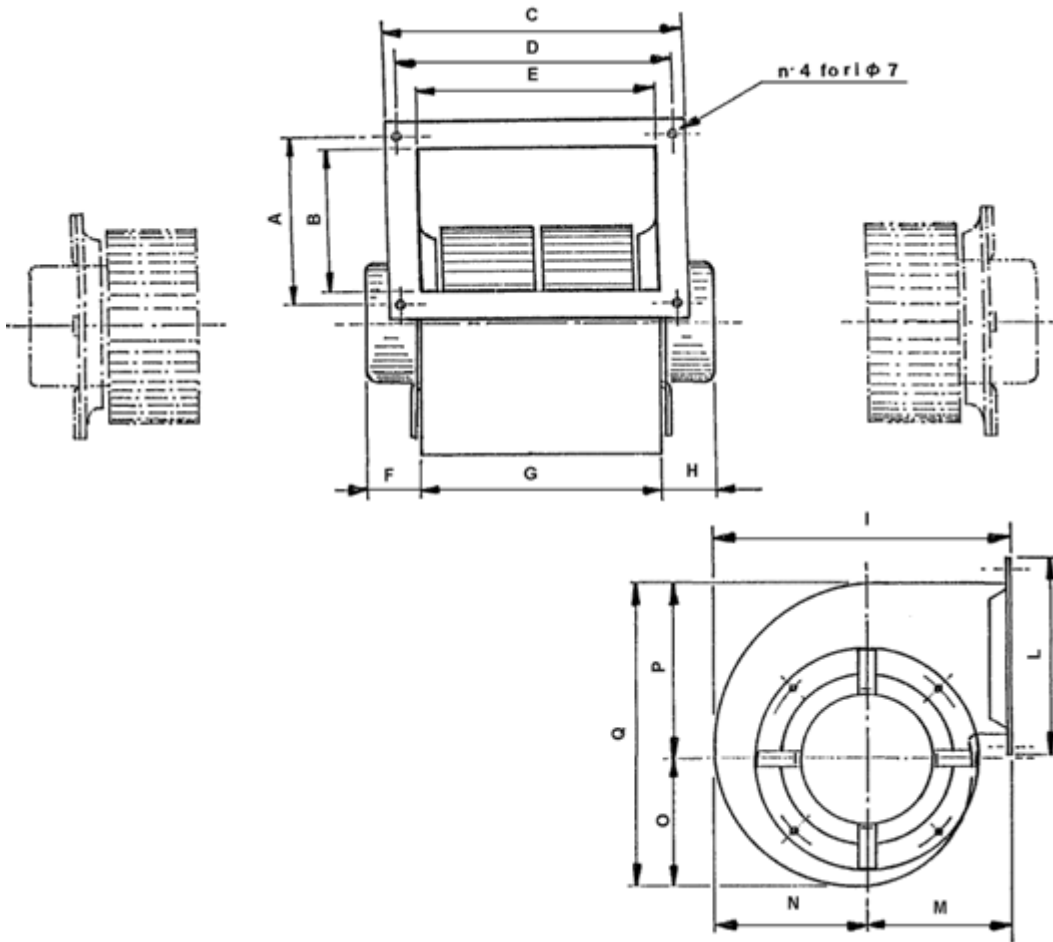
## **SERIE EP-DAS/I-BIT**



- Suitable to convey clean air and flue gas with temperatures until 60°C
- Extractible unit ventilator (motor+impeller)
- 2 closed motors
- Made in painted steel

### **TECHNICAL FEATURES:**

- Electrical motor 2 poles, from 520 to 1100 W: Air flow from 900 to 5000 m<sup>3</sup>/h with Pressure from 20 to 88 mm H<sub>2</sub>O



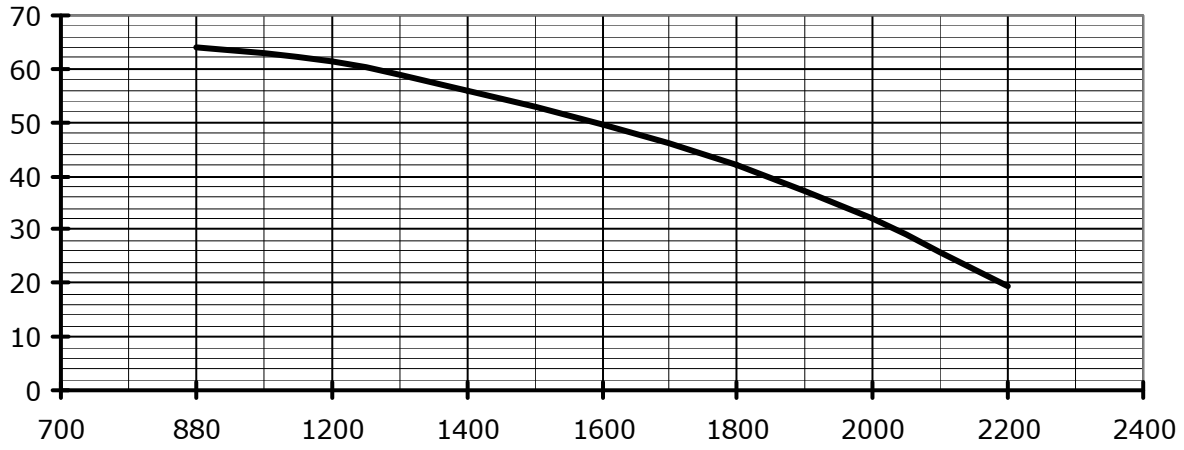
MODEL	A	B	C	D	E	F	G	H	I	L	M	N	O	P	Q
<b>EP-DAS 160/I-BIT</b>	114	90	240	218	193	80	202	80	252	135	137	115	109	143	252
<b>EP-DAS 180/I-BIT</b>	149	123	247	226	200	100	200	100	267	170	145	122	115	115	260

MODEL	rpm	W	(A)	Air flow Min./ Max. (m <sup>3</sup> /h)	Max. Pressure (mm H <sub>2</sub> O)
<b>EP-DAS 160/I-BIT</b>	<b>2800</b>	520	1,6/0,9	880 / 2200	64
<b>EP-DAS 180/I-BIT</b>	<b>2800</b>	1100	2,6/1,5	1000 / 5000	88

# EP-DAS/I - BIT

mm  
H<sub>2</sub>O

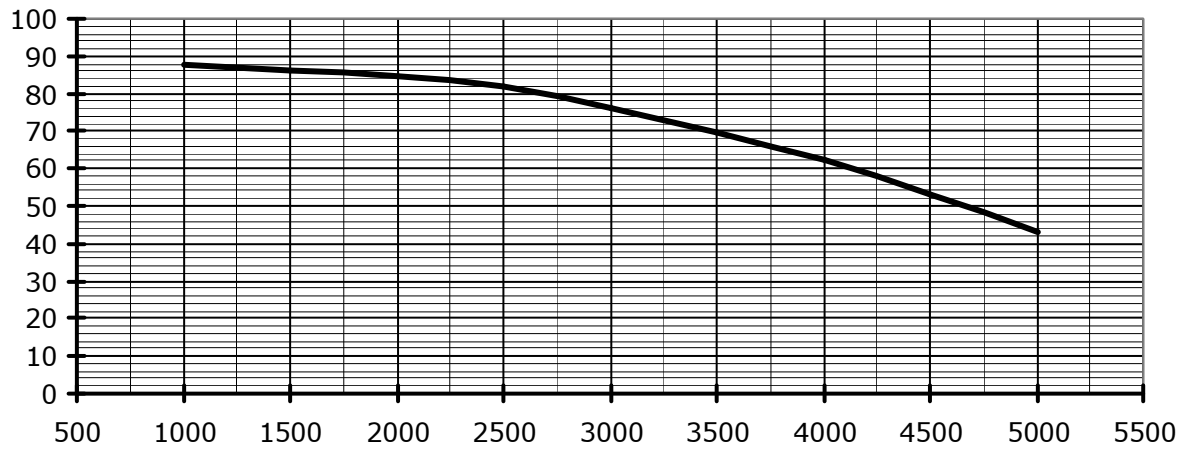
**160**



m³/h

mm  
H<sub>2</sub>O

**180**



m³/h