



Ventilmotor s.r.l.

VENTILATORI CIVILI - INDUSTRIALI

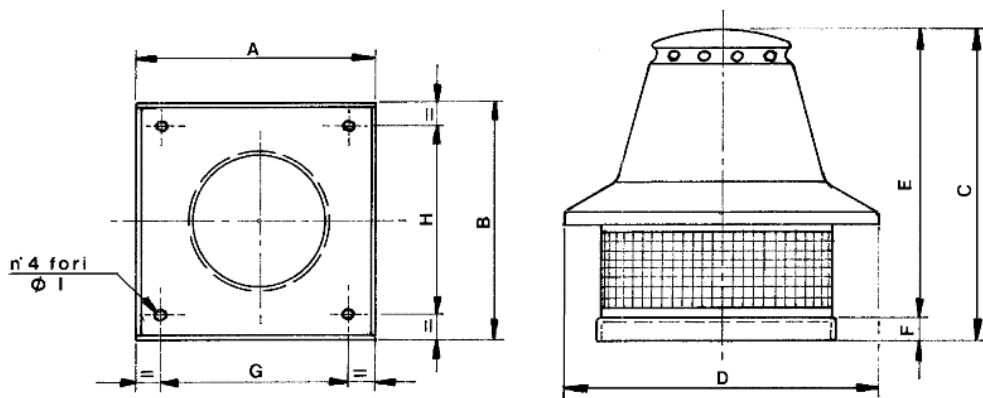
**CENTRIFUGAL FANS
SERIE "AC"**

(**SERIE AC**)

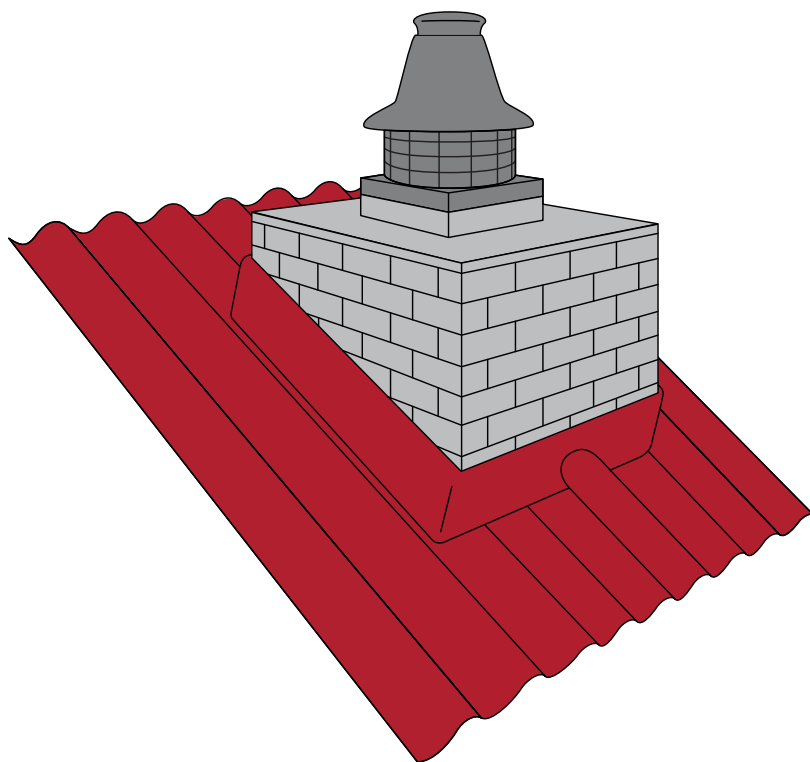


The SERIE AC roof centrifugal fans are especially suited to applications where it is necessary to suck fumes at temperatures up to 200°C. They also can be used to interchange the air in the rooms when the chimney is over. They are produced in painted steel. The motor is UNEL-MEC class H insulation, with heat separator; it is available single and three phase with speed regulator.

MODEL	AC-31	AC-36	AC-41
A	310	360	410
B	310	360	410
C	390	390	390
D	390	390	390
E	360	360	360
F	30	30	30
G	266	316	366
H	266	316	366
I	9	9	9



Absorbed Power	90 W
Current	0.5 A
Tension	220/230 V
Frequency	50 Hz
Rotations per minute	1400 rpm
Max. Air Flow	1500 m ³ /h



Ventilmotor s.r.l a socio unico ©2016

Uffici e Stabilimento: Via Piaggio, 74 - 20037 - Paderno Dugnano (MI) Sede Legale: Via G. Pogliani, 34 - Paderno Dugnano (MI)

Tel: +39 02.9101051 / +39 02.99041382 Fax: +39 02.9103661 Web: info@ventilmotor.com - www.ventilmotor.com

Capitale Sociale € 10400.00 i.v. - REA 1519030 - N° Registro Imprese MI 53691 - P. Iva 02632870966 - ITALY